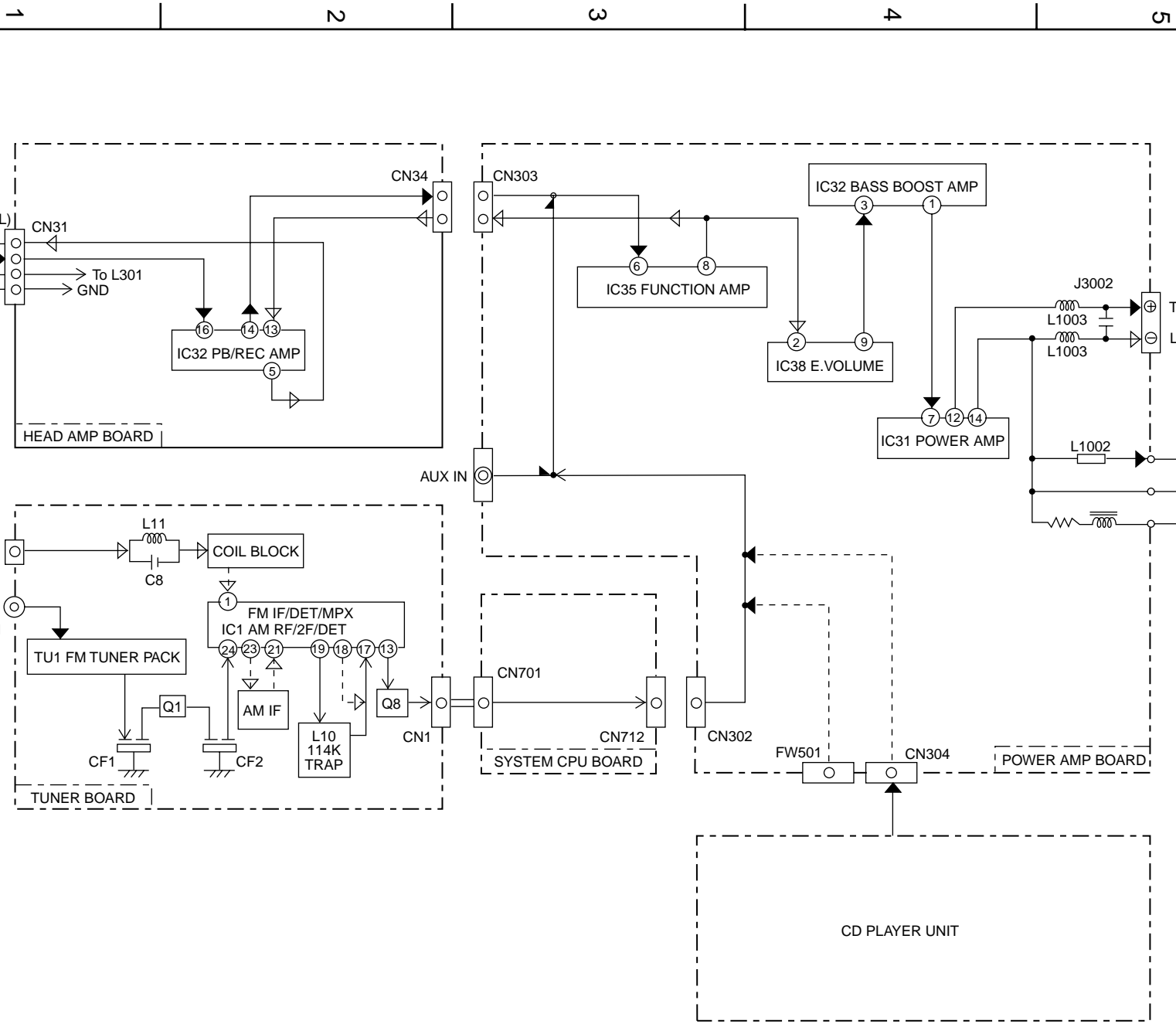


Block diagram

A  
B  
C



**< MEMO >**

# Standard schematic diagrams

## ■ Main amp section

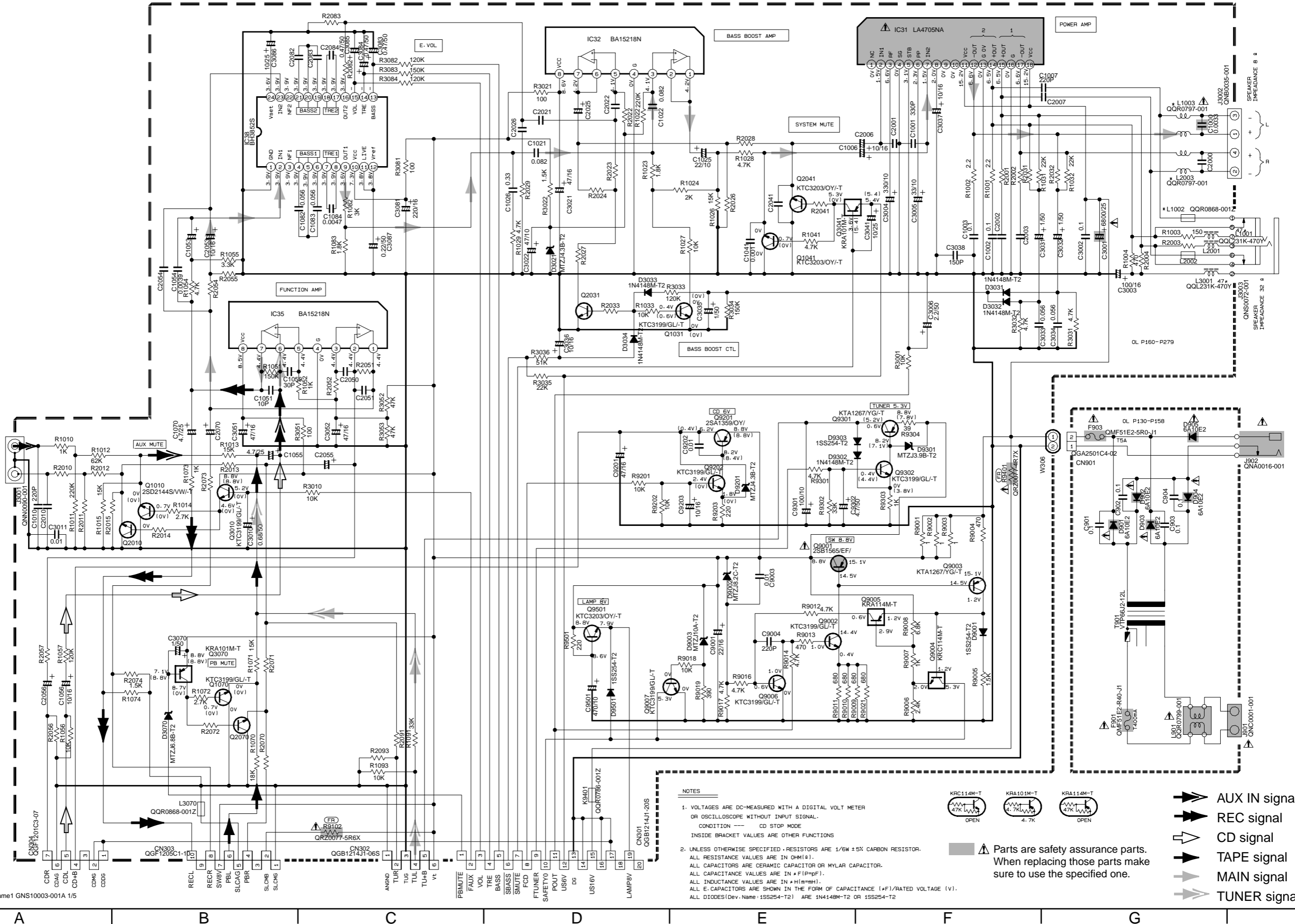
5

4

3

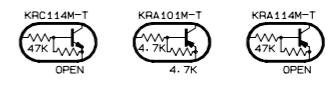
2

1



### NOTES

- VOLTAGES ARE DC-MEASURED WITH A DIGITAL VOLT METER OR OSCILLOSCOPE WITHOUT INPUT SIGNAL.  
CONDITION — CD STOP MODE  
INSIDE BRACKET VALUES ARE OTHER FUNCTIONS
- UNLESS OTHERWISE SPECIFIED, RESISTORS ARE 1/6W ±5% CARBON RESISTOR.  
ALL RESISTANCE VALUES ARE IN Ω(m).  
ALL CAPACITORS ARE CERAMIC CAPACITOR OR MYLAR CAPACITOR.  
ALL CAPACITANCE VALUES ARE IN μ(F)(p)(F).  
ALL INDUCTANCE VALUES ARE IN m(H)(mH).  
ALL E. CAPACITORS ARE SHOWN IN THE FORM OF CAPACITANCE (μF)/RATED VOLTAGE (V).  
ALL DIODES (Dev. Name: 1SS254-T2) ARE 1N4148M-T2 OR 1SS254-T2

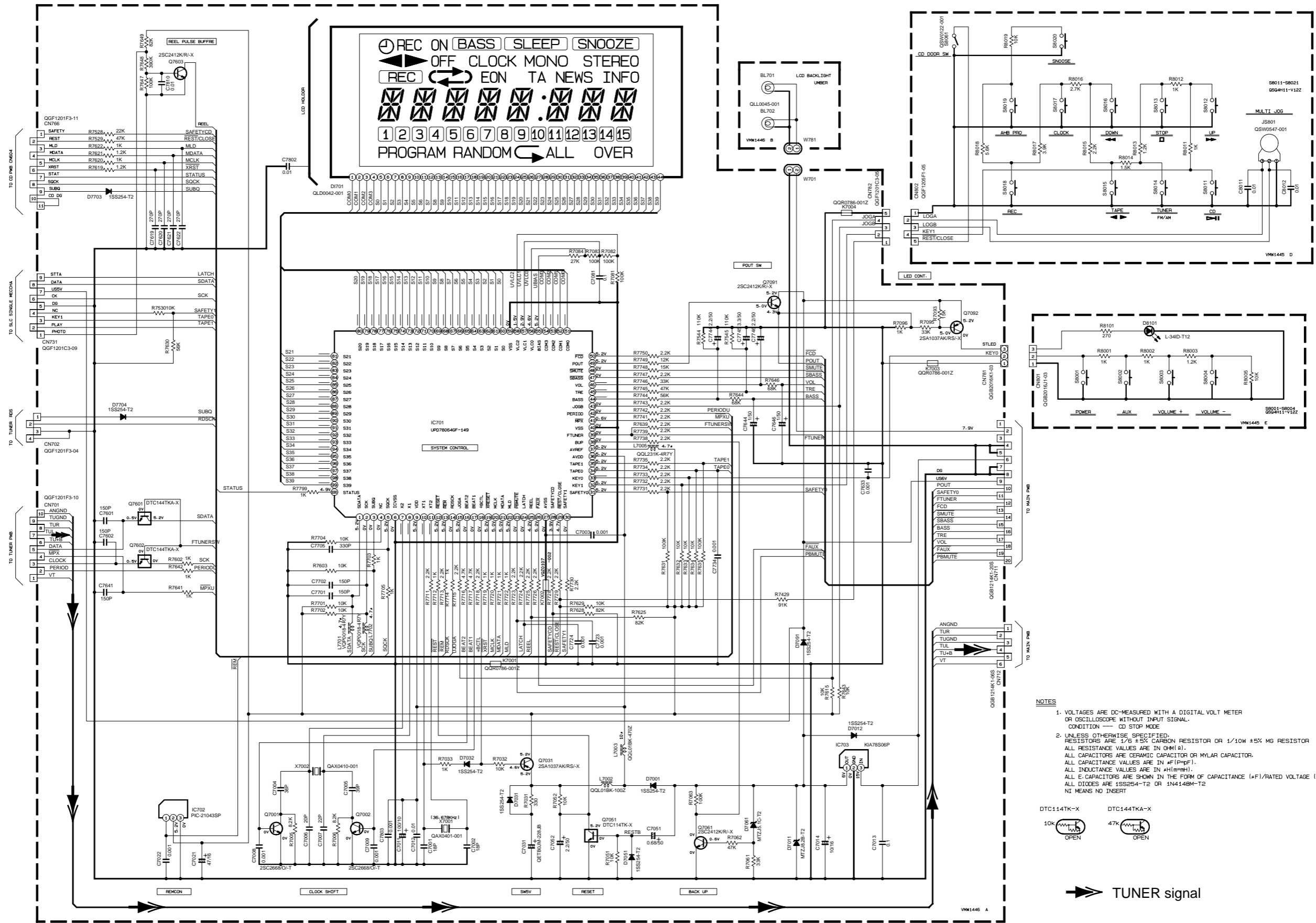


▲ Parts are safety assurance parts.  
When replacing those parts make sure to use the specified one.

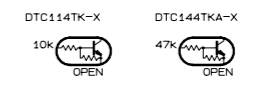
- ➔ AUX IN signal
- ➔ REC signal
- ➔ CD signal
- ➔ TAPE signal
- ➔ MAIN signal
- ➔ TUNER signal

Note: s/T/jsc/g103ame1 GNS10003-001A 1/5  
E/E/NEV ver.

LCD & KEY Control section



- NOTES**
1. VOLTAGES ARE DC-MEASURED WITH A DIGITAL VOLT METER OR OSCILLOSCOPE WITHOUT INPUT SIGNAL. CONDITION — CD STOP MODE
  2. UNLESS OTHERWISE SPECIFIED, RESISTORS ARE 1/6 ±5% CARBON RESISTOR OR 1/10W ±5% MS RESISTOR. ALL RESISTANCE VALUES ARE IN OHM (Ω). ALL CAPACITORS ARE CERAMIC CAPACITOR OR MYLAR CAPACITOR. ALL CAPACITANCE VALUES ARE IN #F(PpF). ALL INDUCTANCE VALUES ARE IN #H(mH). ALL E. CAPACITORS ARE SHOWN IN THE FORM OF CAPACITANCE (#F)/RATED VOLTAGE (V). ALL DIODES ARE 1SS254-T2 OR 1N4148M-T2. NI MEANS NO INSERT



TUNER signal

■ Tuner section

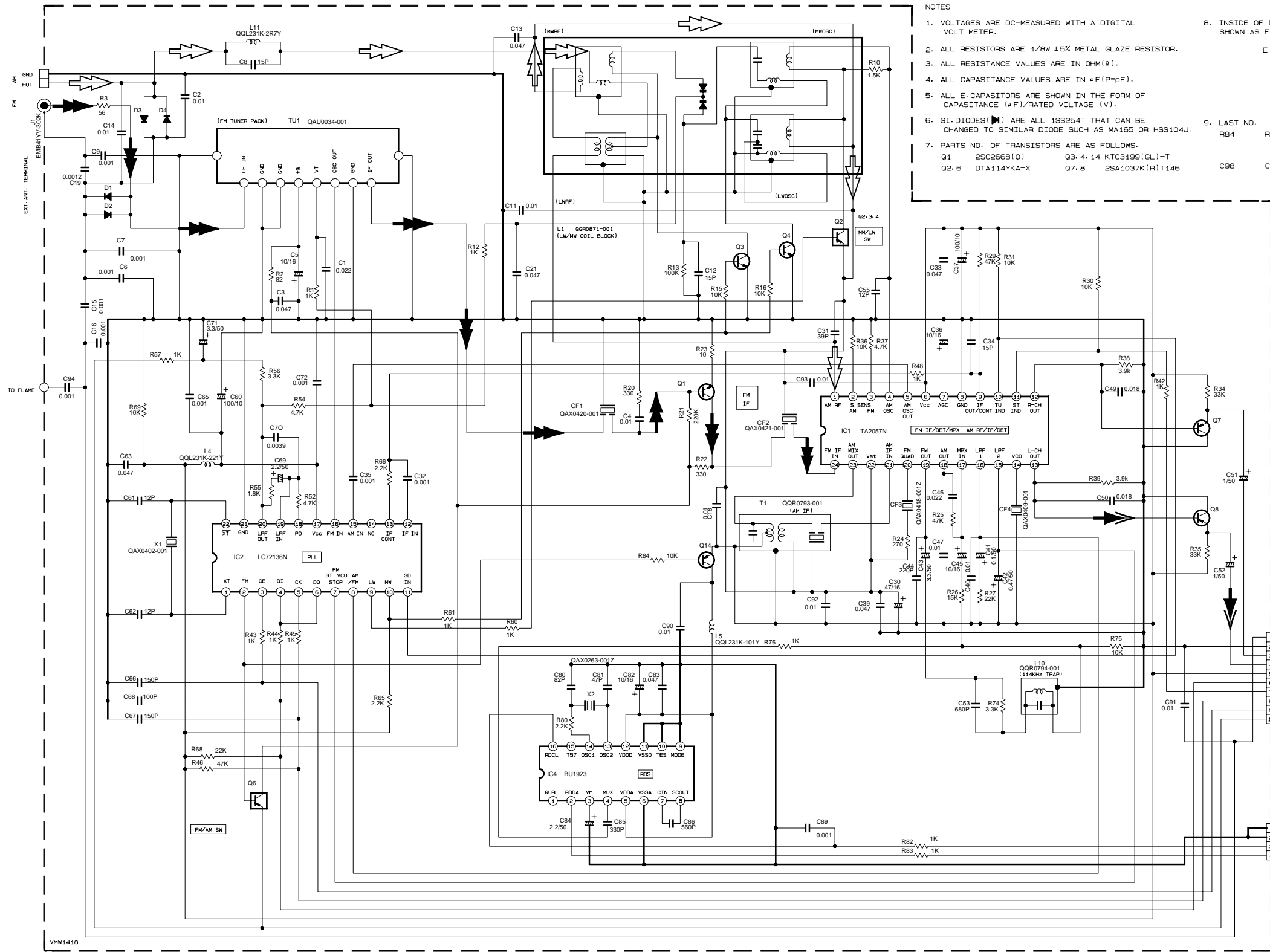
5

4

3

2

1



NOTES

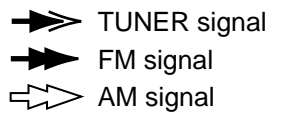
1. VOLTAGES ARE DC-MEASURED WITH A DIGITAL VOLT METER.
2. ALL RESISTORS ARE 1/8W ± 5% METAL GLAZE RESISTOR.
3. ALL RESISTANCE VALUES ARE IN OHM(Ω).
4. ALL CAPACITANCE VALUES ARE IN #F(P=pF).
5. ALL E-CAPACITORS ARE SHOWN IN THE FORM OF CAPACITANCE (#F)/RATED VOLTAGE (V).
6. SI-DIODES(▶) ARE ALL 1SS254T THAT CAN BE CHANGED TO SIMILAR DIODE SUCH AS MA165 OR HSS104J.
7. PARTS NO. OF TRANSISTORS ARE AS FOLLOWS:  
 Q1 2SC2668(O)    Q3-4 14 KTC3199(GL)-T  
 Q2-6 DTA114YKA-X    Q7-8 2SA1037K(R)T146
8. INSIDE OF DIGITAL TRANSISTORS ARE SHOWN AS FOLLOWS:  
 E O DTA114YK C  
 47K  
 B
9. LAST NO. BLANK NO.  
 R 4-9, 11-14, 17-19, 28-32, 33  
 40-41, 47, 49-51, 53, 58-59  
 62-64, 67-70-73, 77-79, 81  
 C 10, 17, 20, 22-29, 38  
 48, 54, 56-59, 64, 73-79, 87, 88  
 95-97

CONDITION	PIN NO.	1	2	3	4	5	6	7	8	9	10	11	12	13	14	15	16	17	18	19	20	21	22	23	24
IC1	FM NO SIGNAL	2.0	0.5	0	2.0	5.1	5.1	0	0	0.3	5.1	5.1	1.1	1.1	4.4	3.7	3.7	1.4	0	1.3	1.1	2.0	2.0	5.1	2.0
IC1	FM 60dB STEREO	2.0	0.5	0	2.0	5.1	5.1	1.1	0	0.3	5.1	5.1	1.1	1.1	4.3	4.1	3.7	1.4	0	1.4	1.1	2.0	2.0	5.1	2.0
IC2	FM NO SIGNAL	2.0	0.5	0	2.0	5.0	5.1	0	0	0.3	5.1	5.1	1.1	1.1	4.5	0.1	0	1.4	1.4	1.5	1.6	2.0	2.0	5.1	2.0
IC2	FM NO SIGNAL	2.4	0	0	5.1	5.0	5.1	3.7	3.7	2.0	3.8	5.1	0	0	0	0	2.6	5.1	1.0	1.0	3.7	0	2.7		
IC4	FM NO SIGNAL	2.0	2.5	2.5	5.0	0	2.5	2.5	0	0	0	0	5.0	2.4	2.4	2.5	2.5								

Tr. NO.	Q1	Q6	Q7	Q8	Q14
PIN NO.	E C B	E C B	E C B	E C B	E C B
FM 87.5MHz NO SIGNAL	0 7.5 0.7	8.8 8.7 0	1.6 0 1.1	1.6 0 1.1	5.1 5.1 4.5
AM 522KHz NO SIGNAL	0 0 0	8.8 0 8.7	1.6 0 1.1	1.6 0 1.1	5.1 0.1 8.7

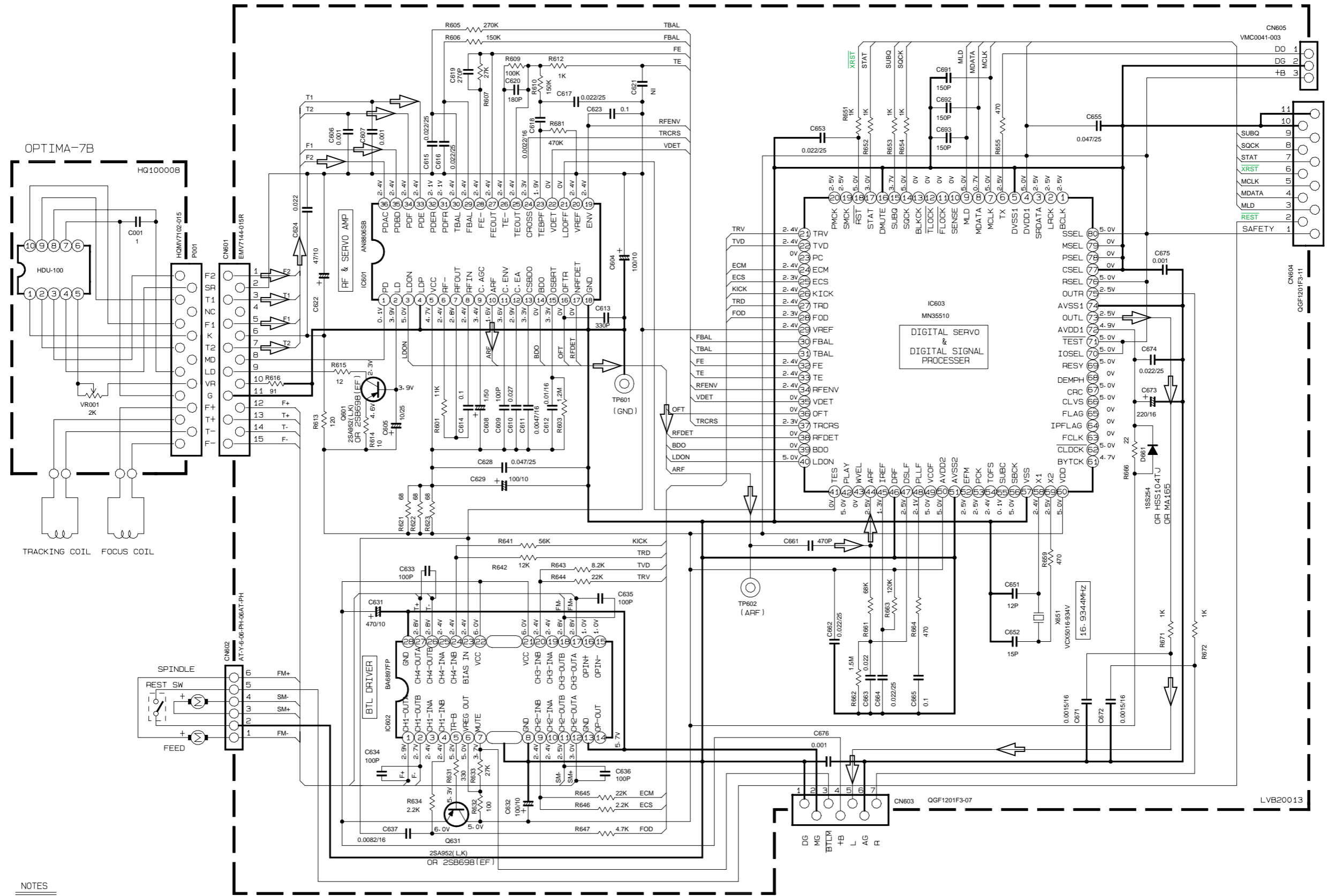
  

Tr. NO.	Q2	Q3	Q4
PIN NO.	E C B	E C B	E C B
AM 522KHz NO SIGNAL	2.0 2.0 0.1	0 0 0.7	0 0 0.7
AM 144KHz NO SIGNAL	2.0 2.0 2.0	0 0 0.1	0 0 0.1



Notes: s/T/jsc/g103tue1.GNS10003-001A 4/5  
E/EN/EV ver.

CD Servo control section



- NOTES**
1. VOLTAGES ARE DC-MEASURED WITH A DIGITAL VOLT METER
  2. UNLESS OTHERWISE SPECIFIED, RESISTORS ARE 1/6W ±5% CARBON RESISTOR. ALL RESISTANCE VALUES ARE IN OHM(Ω). ALL CAPACITORS ARE CERAMIC CAPACITOR OR MYLAR CAPACITOR. ALL CAPACITANCE VALUES ARE IN # F(P=pF). ALL E-CAPACITORS ARE SHOWN IN THE FORM OF CAPACITANCE (μF)/RATED VOLTAGE (V).

⇒ CD signal

Note:s/T/jsc/g103cde1 GNS10003-001A 5/5 E/EN/EV ver.

Head amp & Mecha control section

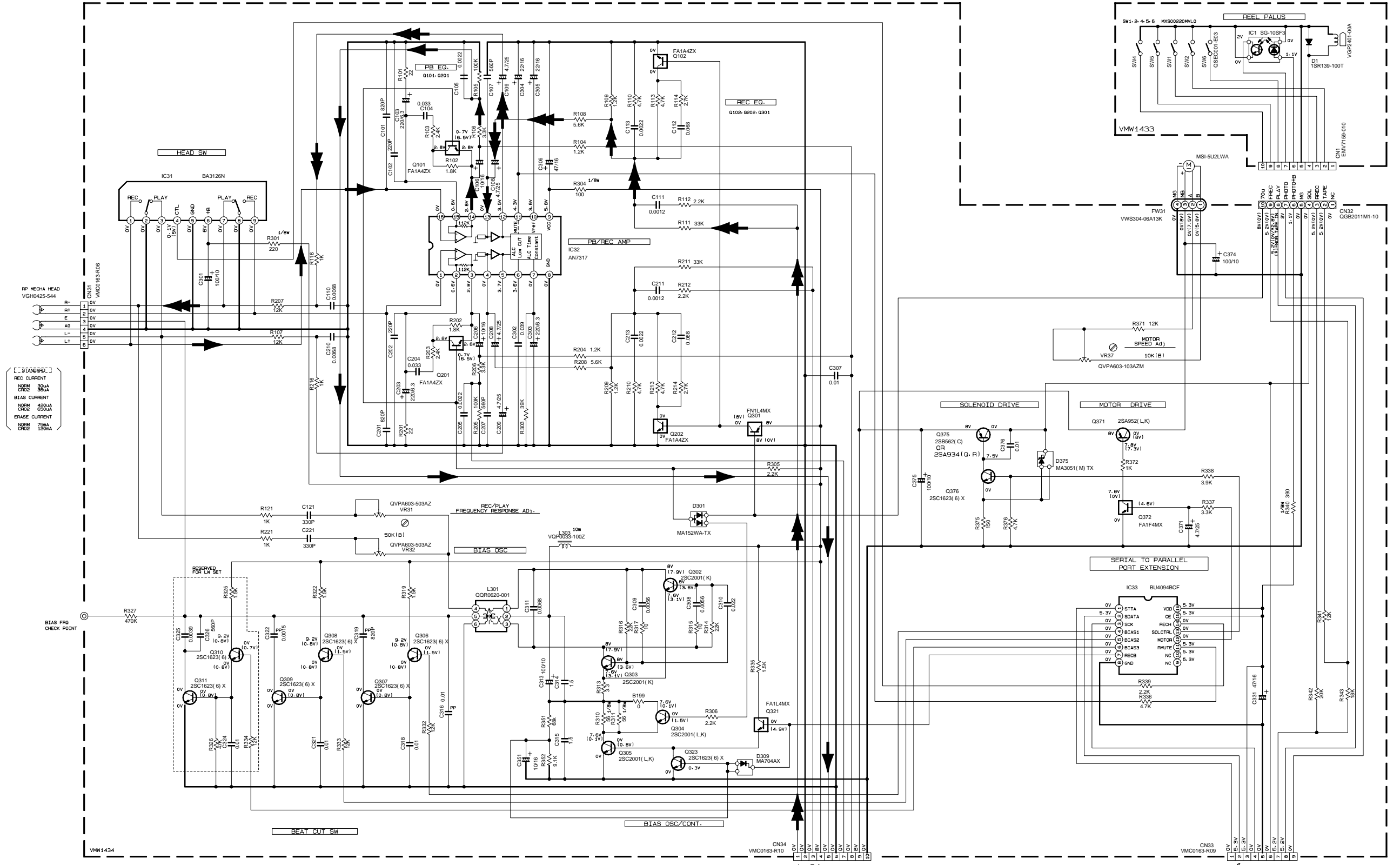
5

4

3

2

1



REC CURRENT  
NORM 30uA  
CR22 30uA

BIAS CURRENT  
NORM 400uA  
CR22 600uA

ERASE CURRENT  
NORM 750uA  
CR22 1500uA

NOTES

1. VOLTAGES ARE DC-MEASURED WITH A DIGITAL VOLT METER OR OSCILLOSCOPE WITHOUT INPUT SIGNAL. CONDITION : MECHA STOP MODE

2. UNLESS OTHERWISE SPECIFIED - RESISTORS ARE 1/10W ±5% METAL GLAZE RESISTOR.  
ALL RESISTANCE VALUES ARE IN OHM(S).  
ALL CAPACITORS ARE CERAMIC CAPACITOR OR MYLAR CAPACITOR.  
ALL CAPACITANCE VALUES ARE IN #F(PPF).  
ALL INDUCTANCE VALUES ARE IN #H(MMH).  
ALL E. CAPACITORS ARE SHOWN IN THE FORM OF CAPACITANCE (#F)/RATED VOLTAGE (V).  
POLYPROPYLENE CAPACITOR

PARTS	NAME	REF. NO
	FA1A4ZX	G101-G201 G102-G202
	FN1L4MX	Q301
	FA1L4MX	Q302
	FA1F4MX	Q371

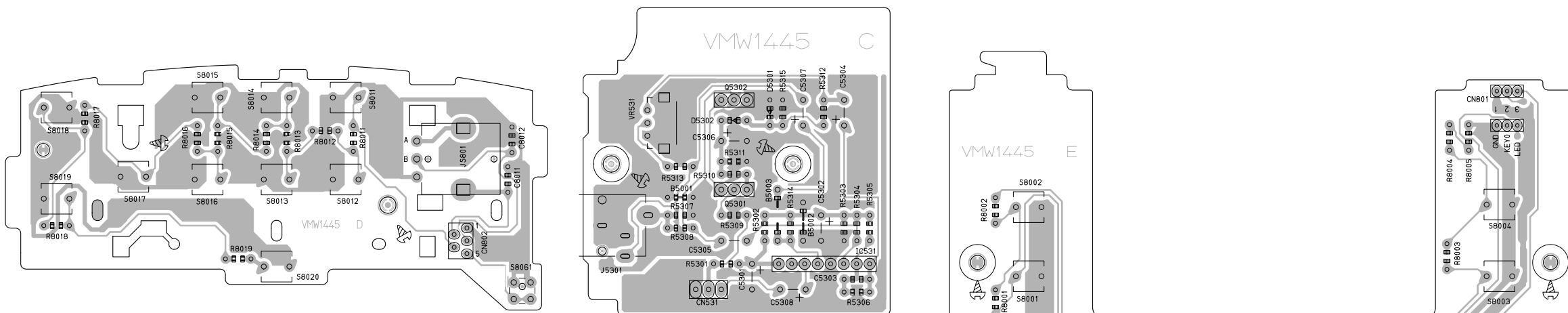
➡ REC signal  
➡ TAPE signal

Note:s/T/jsc/g103tae1 GNS10003-001A 3/5  
E/EN/EV ver.

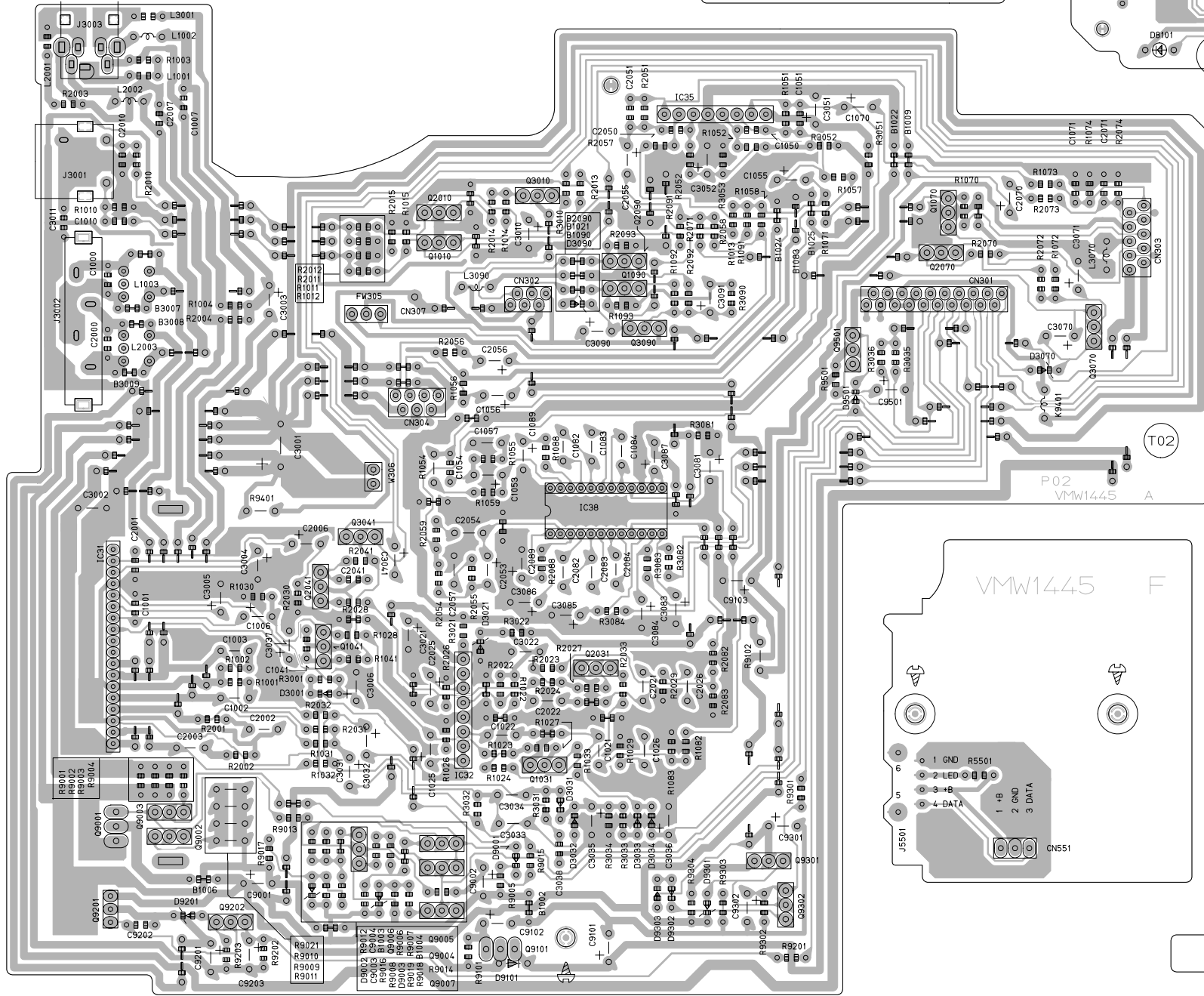
# Printed circuit boards

■ Main board

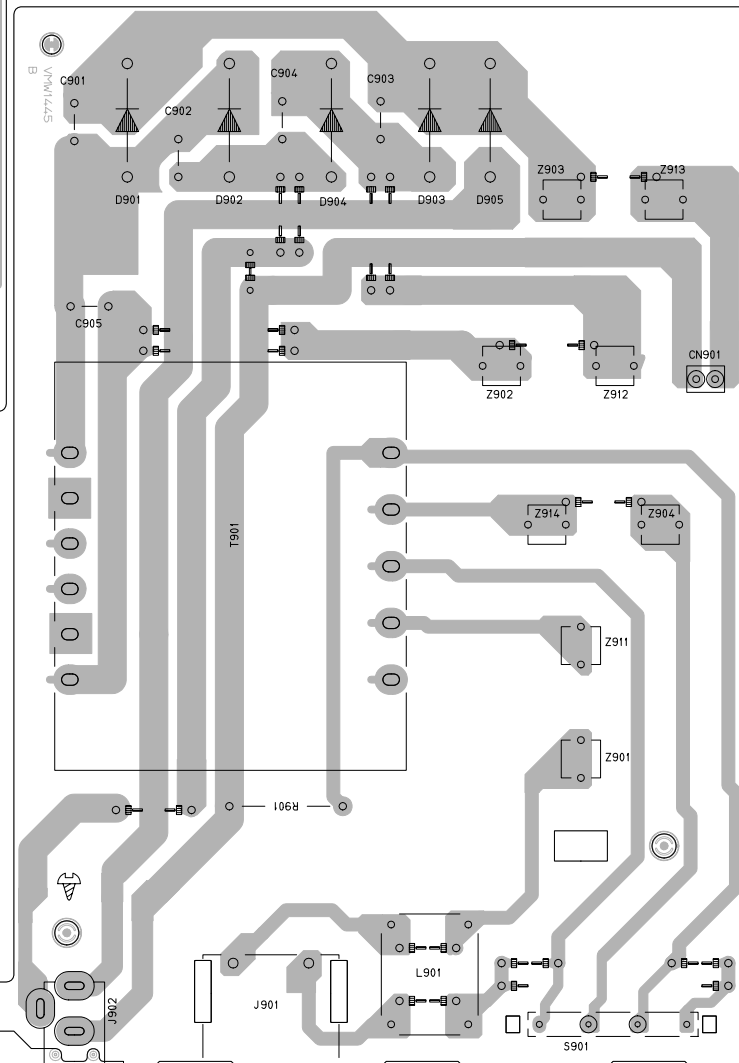
5



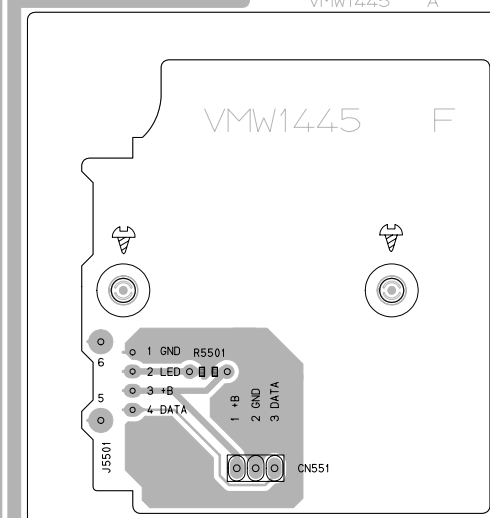
4



3



2

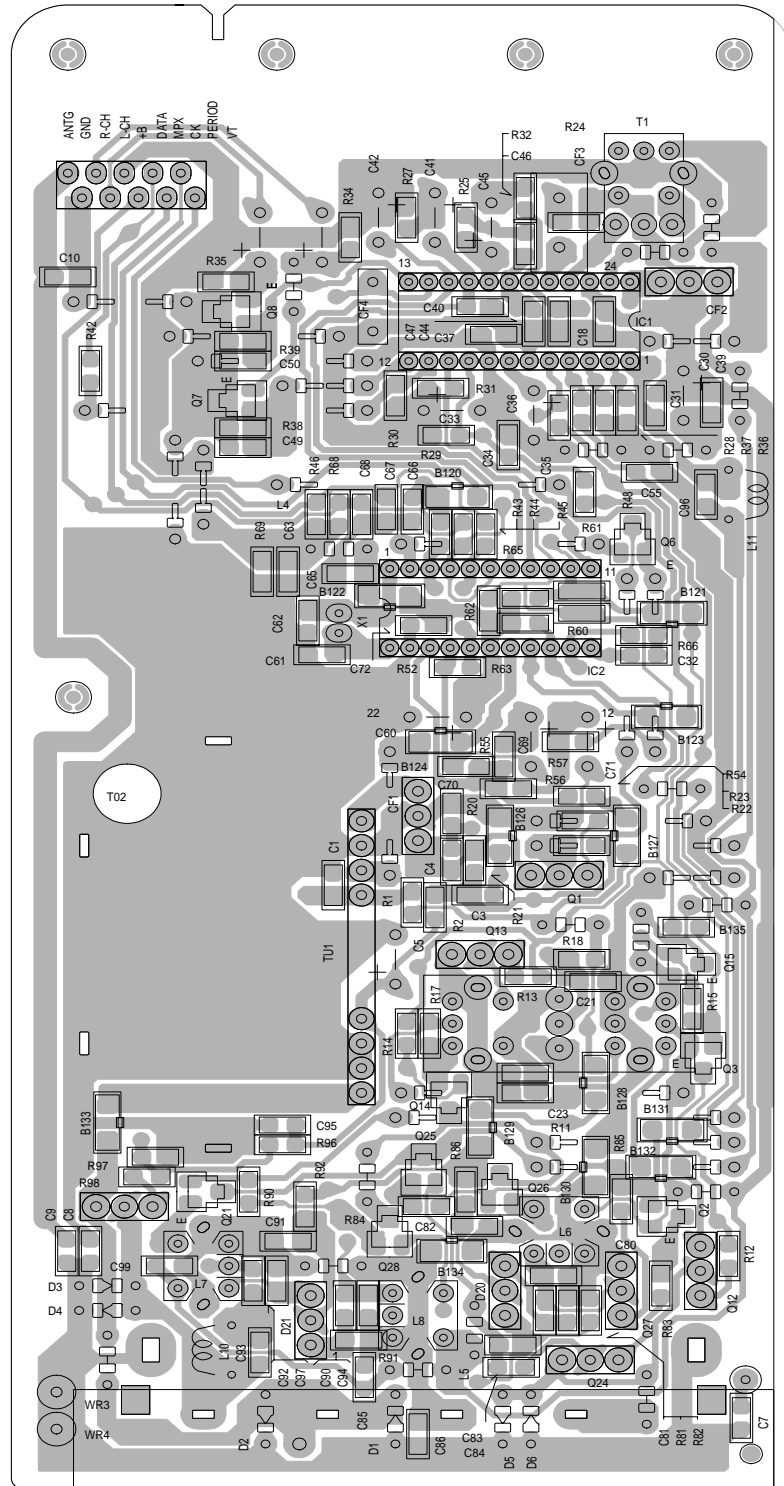


1

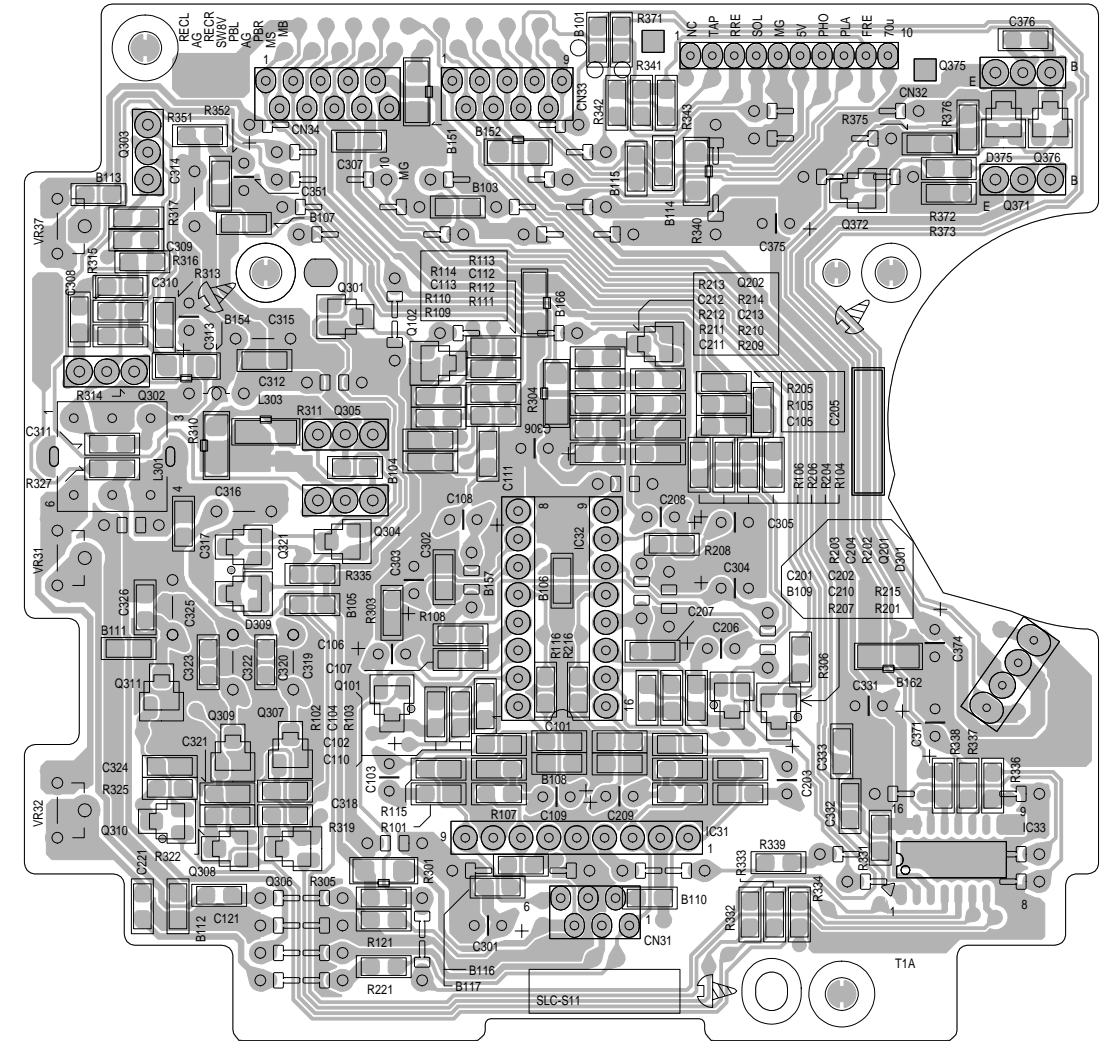




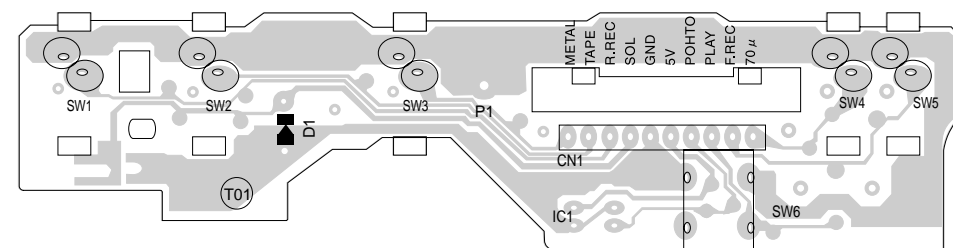
■ Tuner board



■ Head amplifier & Mechanism control board



■ Cassette switch board



5

4

3

2

1

A

B

C

2-10

D

E

F

G

H